

Colour
is our nature

Installing Your Driver in the DRYverbox 50/S

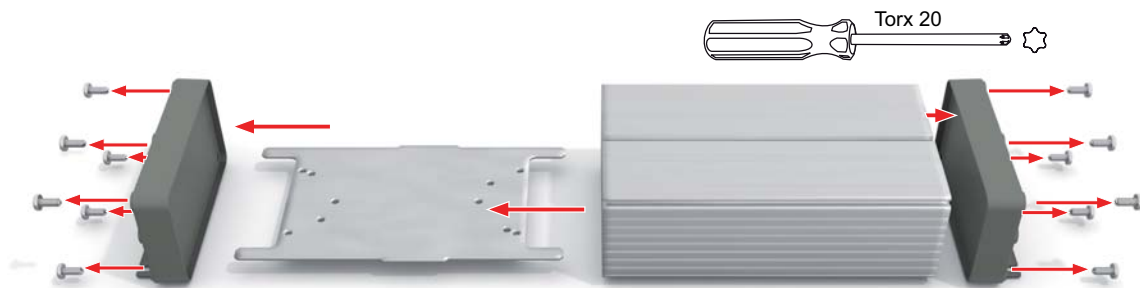
The DRYverbox 50/S is suited for the following eldoLED drivers:

- SOLOdrive 560/S and 561/S
- DUALdrive 560/S
- POWERdrive 562/S

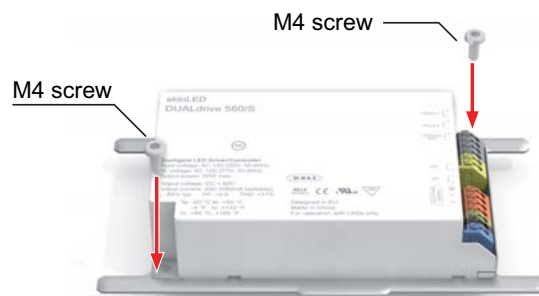
To install your eldoLED driver into the DRYverbox, you need:

- A DRYverbox 50/S
- M4 screws to mount the driver (2x)
- A Torx 20 screw driver
- Glands, e.g. LAPP Skintop cable glands

To install your eldoLED driver, proceed as follows:



A Opening the DRYverbox



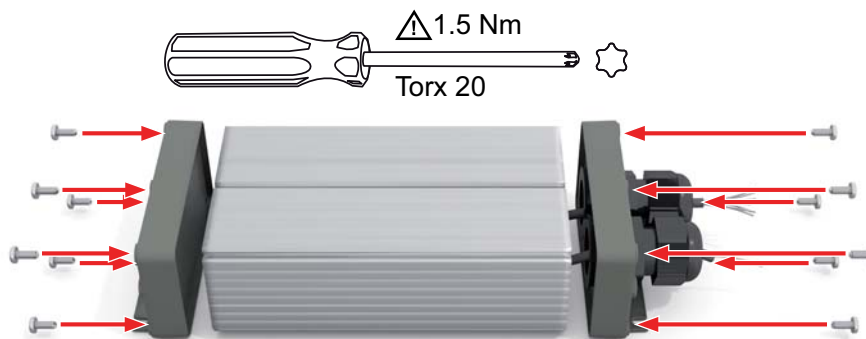
B Fastening your driver onto the mounting plate



C Deciding on the cable configuration (examples shown above)



D Drilling holes for the glands: M12 (max 3), M16 (max 3) or M20 (max 2)



E Fastening the screws on the DRYverbox covers